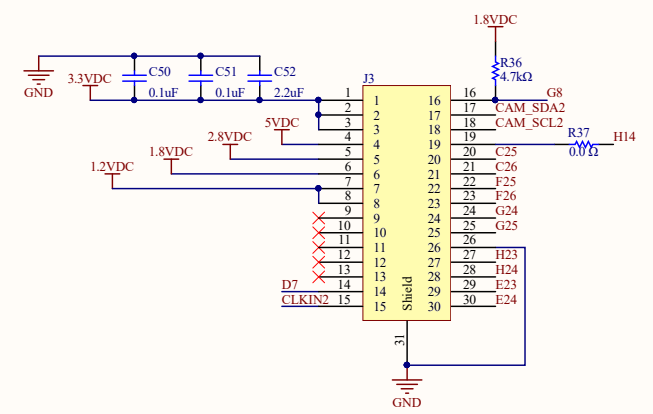
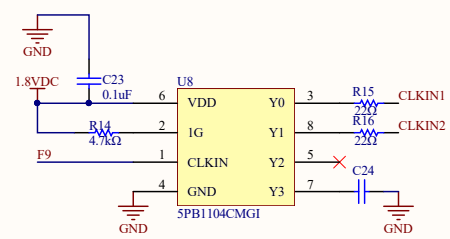
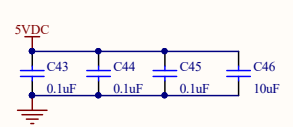
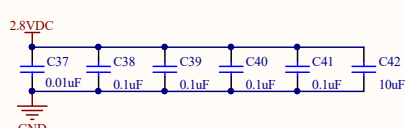
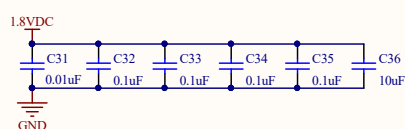
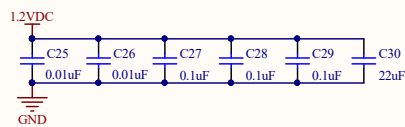
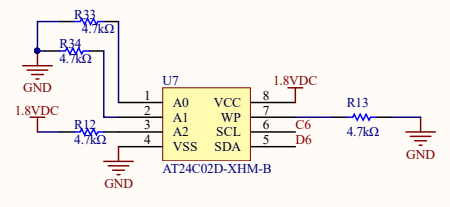
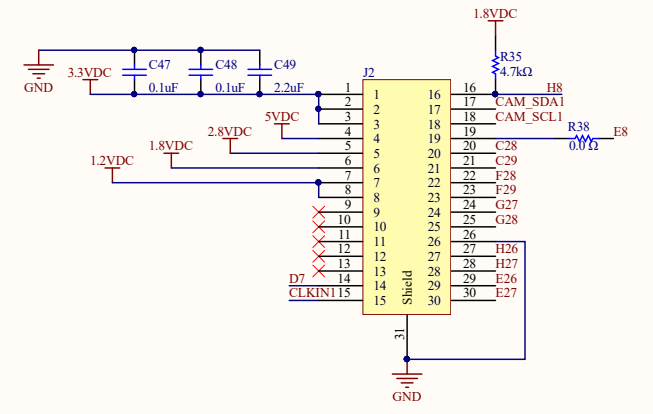
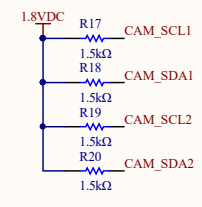
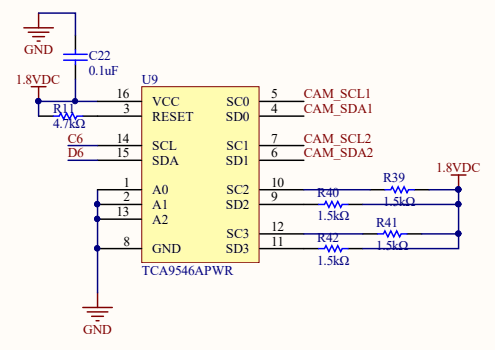
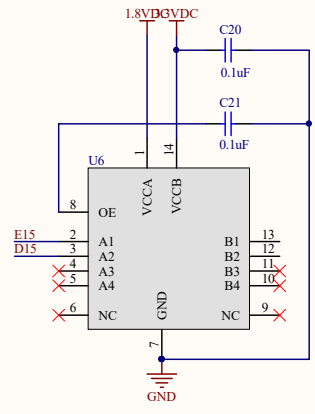
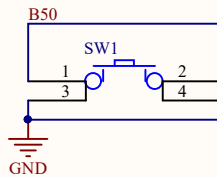
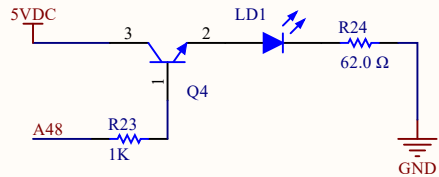
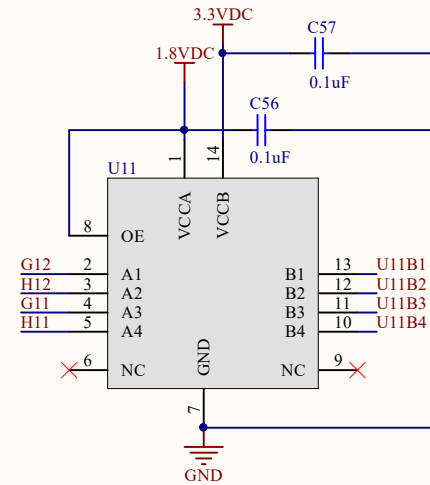
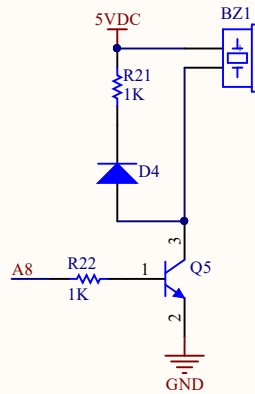
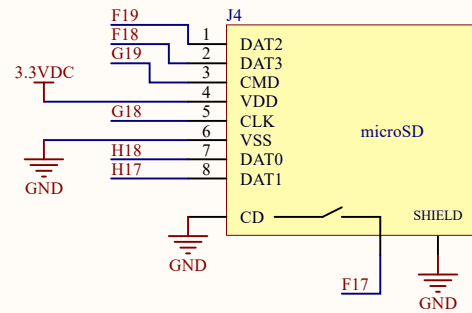
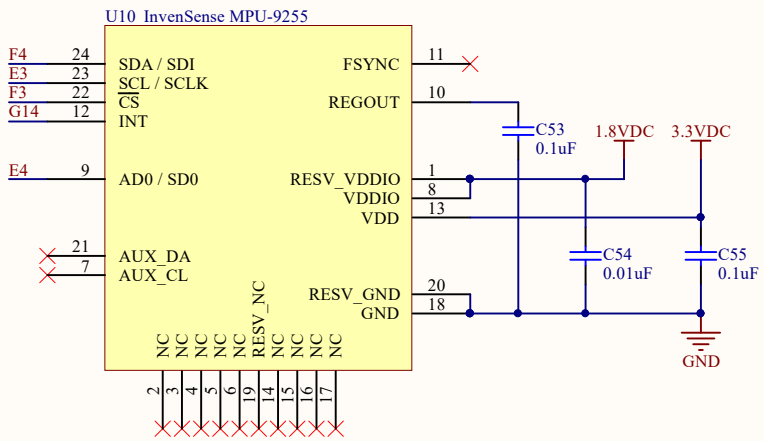


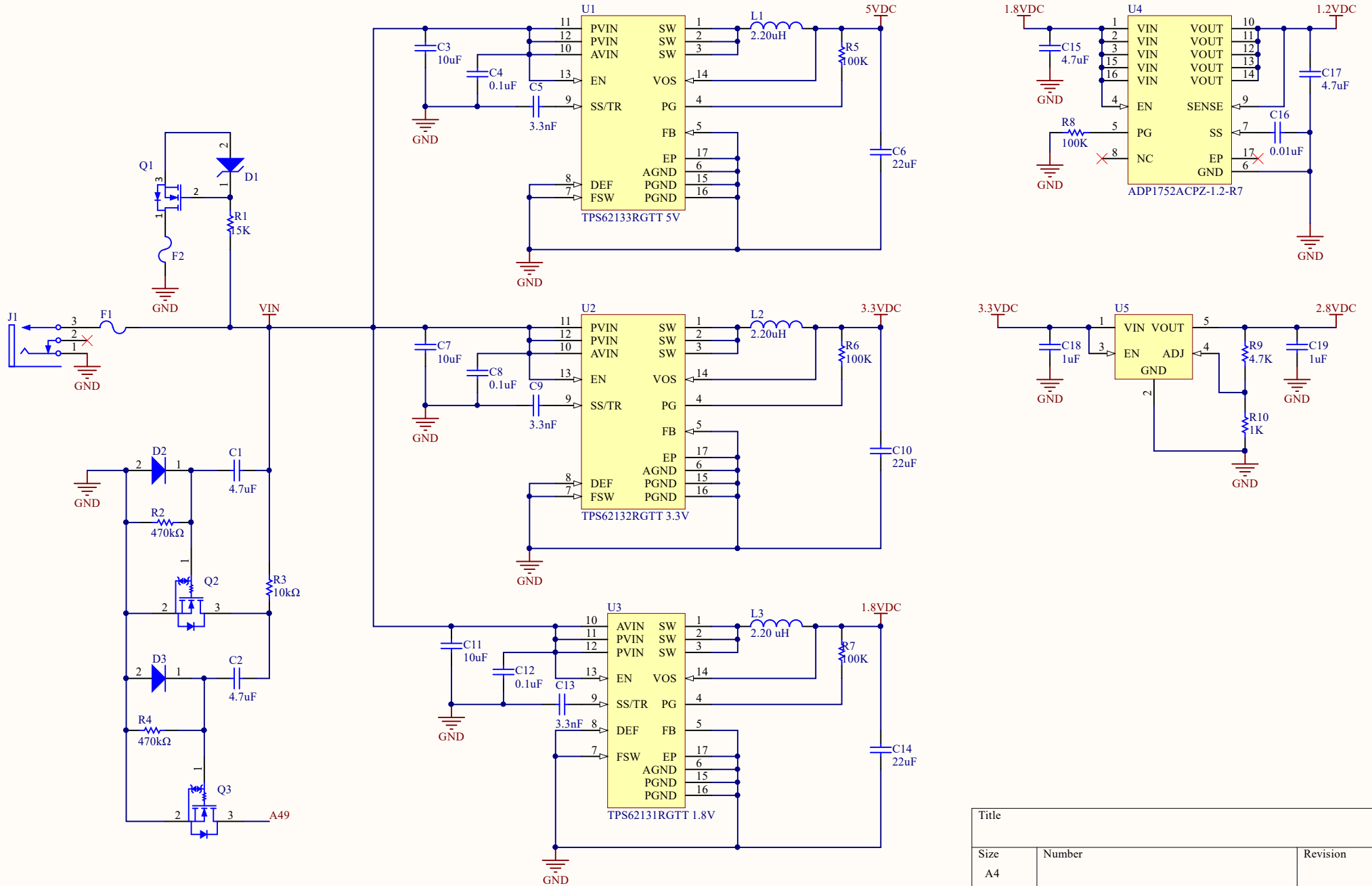
Title		
Size	Number	Revision
A4		
Date:	29.06.2018	Sheet of
File:	Connectors.SchDoc	Drawn By:



Title		
Size	Number	Revision
B		
Date:	29.06.2018	Sheet of
File:	MIPI CSI2-4.SchDoc	Drawn By:



Title		
Size A4	Number	Revision
Date:	29.06.2018	Sheet of
File:	Peripheral devices.SchDoc	Drawn By:



Title		
Size	Number	Revision
A4		
Date:	29.06.2018	Sheet of
File:	Power.SchDoc	Drawn By:

